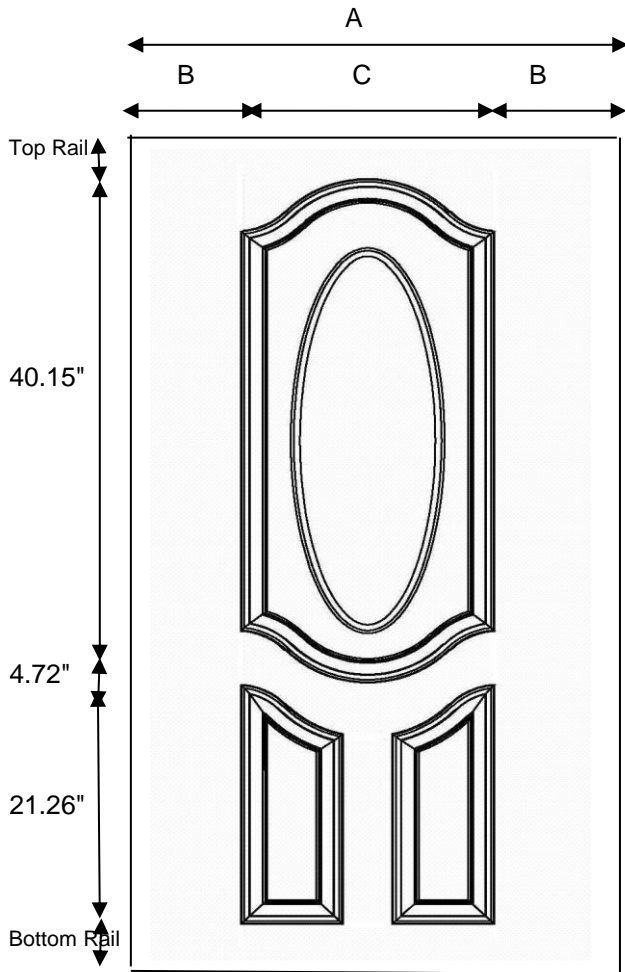


3 Panel Oval



Width
Metric (mm)

	A	B	C (TPW)	D
Oversize	1070	210.0	650.0	None
	1020	185.0	650.0	None
Standard	924	197.0	530.0	None
	874	172.0	530.0	None
	823	146.5	530.0	None
Narrow	772	176.0	420.0	None
	695	137.5	420.0	None
	620	100.0	420.0	None

Imperial (Inches)

	A	B	C	D
Oversize	42.13	8.27	25.59	None
	40.16	7.28	25.59	None
Standard	36.38	7.76	20.87	None
	34.41	6.77	20.87	None
	32.40	5.77	20.87	None
Narrow	30.39	6.93	16.54	None
	27.36	5.41	16.54	None
	24.41	3.94	16.54	None

Length
Metric (mm)

Length	Top Rail	Bottom Rail
2152	202	270

Imperial (Inches)

Length	Top Rail	Bottom Rail
84.72	7.95	10.63

TPW - Total Panel Width